

## TOP ASSEMBLY

1. Park the unit on level surface. Set the parking brake. Stop the engine and remove the key.
2. Place the top on the roll cage. Center top left to right and push the top forward as far as it will slide.
3. Assemble large flat washer to bolt. Insert this assembly through one of the four holes in the top. Position a clamp around the cross bar and position the clamp hole so it aligns with the hole in the top. The top position may have to adjusted slightly to align the holes.
4. Start bolt into nut clamp assembly. Do not tighten at this time.
5. Proceed to install bolts and clamps in the other three hole locations. Refer to illustration for positioning (FIG2) and assembly reference (FIG 1).
6. When all 4 bolts and clamps are in place center top again left to right and tighten all four nuts.

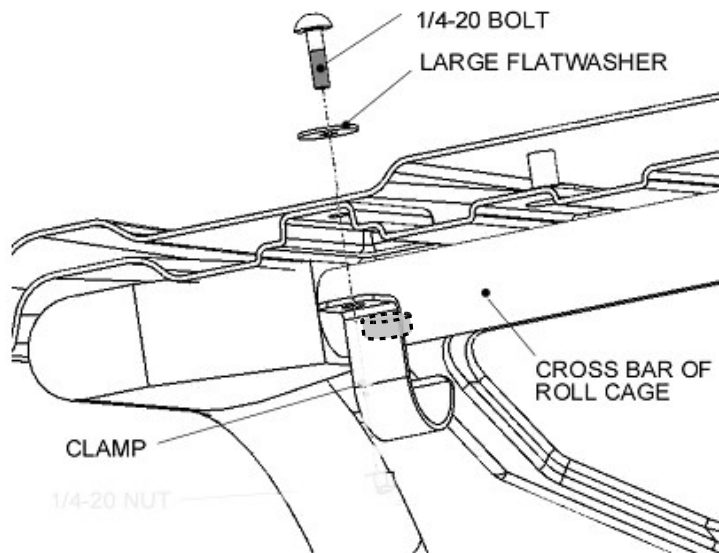


FIG 1

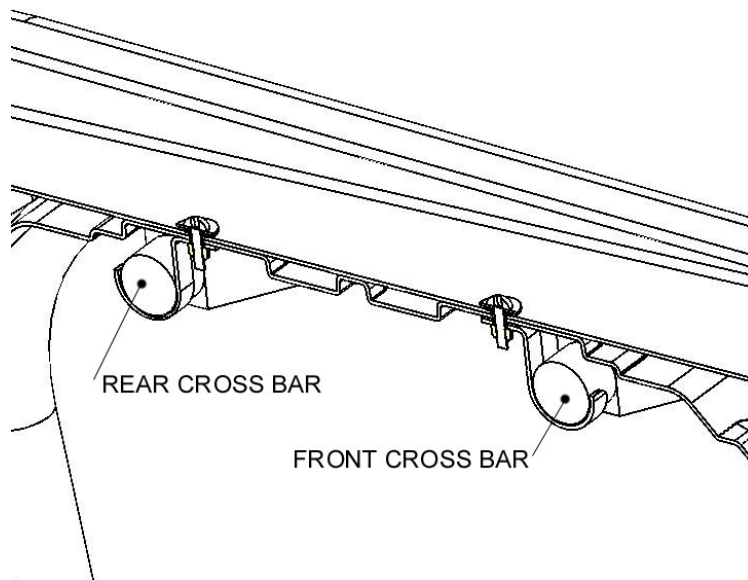


Fig 2