

## EK007 Instructions for JStrong Stereo Box

### Parts List:

4-Zinc Chromate U-bolts (for metal atv racks)

4-Plates (Note: Tie plates maybe replaced by 8—5/16" flatwasher)

8-Wing nuts

4-1/4" X 2 5/16" J-Bolts (for composite racks)

4-1/4" flat washers



### Tools Needed:

Drill with 1/4" drill bit

7/16" wrench

**Toll Free 1-877-444-4147**

**[www.Jstrongindustries.com](http://www.Jstrongindustries.com)**

### Step 1:

Place your new JStrong Universal Stereo box in the center of your front or rear ATV rack. Determine your rack type, metal racks will use the U-Bolt mounting system, Composite racks will use the J-Bolt mounting system. Both systems have been provided in your hardware package.

### Step 2:

Mark the underside of your Jstrong Universal Stereo box on both sides of any tubular cross-member bar or opening of your rack (see fig1 for metal rack) (see fig2 for composite rack). Make sure you mark it near the four corners of your box. Use the u-bolts as a marking guide or the J-Bolts if you have a composite rack.

### Step 3:

Place the box on the center of your ATV rack. Next, insert the 4-u-bolts(see fig.1) (or J-Bolts on a composite rack) thru the underside of the box. At this time you will need to access the inside of the stereo box, open the locked box lid, remove the basket and place your arm into the opening. (please stay clear of stereo and the stereo wiring.) Now place the u-bolt plates on the inside of the box and secure them with the nuts provided(If you are using the J-Bolts use the washers and nuts to secure the box.see figure B) Do not tighten until all 4 U-bolts (or J-bolts) and nuts are installed.

### Step 4:

Now plug the pigtail plug into your cigarette lighter plug. You are now ready to enjoy your new JStrong Universal Stereo box!

Fig 1 U-Bolt mounting assembly for metal racks

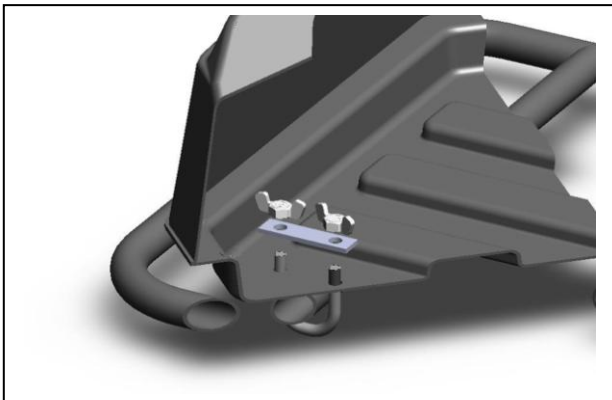
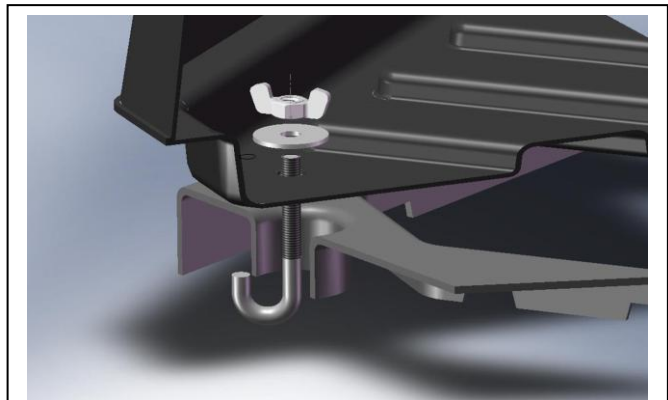


Fig 2 J-Bolt mounting assembly for composite racks



Warning: Disclaimer: Under no circumstances will JStrong Industries or their parent companies accept liability for incidental or consequential damages. JStrong reminds you extreme care should be taken when operating a motorized vehicle and should only be operated by qualified, experienced operators.